



MANUEL F33



MANUAL F33



MANUAL F33



MANUAL F33



HANDBUCH F33



# F33

MACHINE  
QR

Scannez le code QR pour les données de votre machine et le journal de filtre numérique.

Escanee el código QR para los datos de su máquina y el registro de filtro digital.

Scan the QR code for your machine data and digital filter log.

Scan the QR code for your machine data and digital filter log.

Scannen Sie den QR-Code für Ihre Maschinendaten und das digitale Filterprotokoll.



# EC Type Declaration of Conformity Unit

We,

**FRESHFILTER BV**

*(supplier's name)*

**Ruisvoorn 2  
4941 SB Raamsdonksveer  
The Netherlands**

*(supplier's address)*

declare under our sole responsibility that the product:

This Declaration of Conformity is suitable to the European Standard EN 45014 General Criteria for supplier's Declaration of Conformity. The basis for the criteria has been found in international documentation, particularly in ISO/IEC, Guide 22, 1982, Information for manufacturer's Declaration of Conformity with standards or other technical specifications

*Name, type or model, batch or serial number, possible source and number of items to which this declaration relates is in conformity with European Harmonised Standards as published in:*

**Official Journal of the EC : Issue : 2011/C 31/01**

*Issue of publication of the list of harmonised standards*

The compliance of the product has been based on:

<b>EN 61000-6-3:2001</b>	<b>[Emissions]</b>
<b>EN 61000-6-1:2001</b>	<b>[Immunity]</b>
<b>NA</b>	<b>[Safety]</b>
<b>NA</b>	<b>[Radio part]</b>

*Title and or number and date of issue of the applies standards following the provisions of the Directives (if applicable)*

- ✓ EMC-directive : 2004/108/EC
- ✓ Electrical Safety: 23/73/EC
- ✓ R&TTE-directive: 99/5/EC
- ✓ Machinery-directive: 2006/42/EC

*These conclusions are based on test reports:*

**RAAMSDONKSVEER, 01-01-2021**

*Place and date of issue*

**G. Mols**

*name of responsible for CE marking*

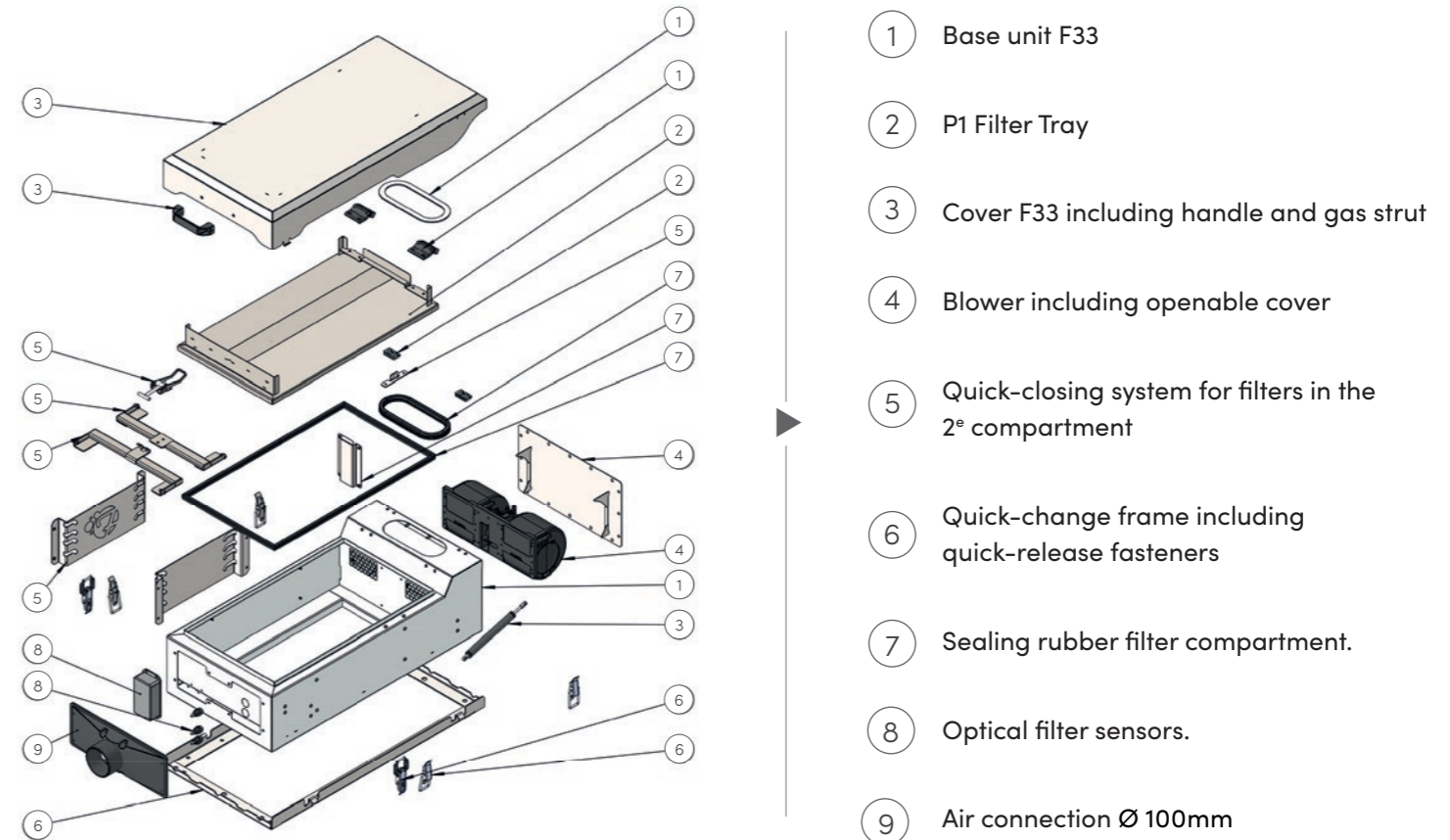


## TABLE OF CONTENTS

1)	<b>SYSTEM INFORMATION</b>	2
	TECHNICAL SPECIFICATIONS	
	INSTALLATION CRITERIA	
2)	<b>OVERPRESSURE FILTERS F33</b>	4
	INSTRUCTION FILTER INSTALLATION F33	
	INSTRUCTION DIGITAL FILTER REGISTRATION APP	
	ORDER NUMBER FILTERS F33	
3)	<b>MAINTENANCE AND INSPECTION F33</b>	6
	MAINTENANCE OF F33	
	INSPECTION BY YOUR SERVICE DEALER	
5)	<b>CERTIFICATION &amp; FILTER LOG</b>	12
	MACHINE CERTIFICATION	
	FILTER LOG	

## 1) SYSTEM INFORMATION F33 & INSTALLATION CRITERIA

The F33 overpressure filter system has the following components and specifications:





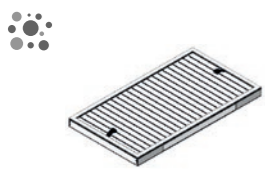
Specifications F33	
Dimensions (l*w*h)	870mm x 457mm x 315mm
Material	STAINLESS STEEL 304
Empty weight	28 kg
Voltage	24V (12V available)
Noise Level	< 60 Db
Capacity	40 - 120 m <sup>3</sup> per hour

When mounting the F33 on your machine, it's important that the overpressure filter system does not hinder normal operations. The following should also be taken into account:  
installation requirements:

- 1 The inlet opening of the overpressure filter system is positioned in such a way that the suction of exhaust gases is avoided.
- 2 The exhaust opening of the overpressure filter system in the cabin is positioned in such a way that it does not lead to an obstructed airflow.
- 3 The monitoring equipment is installed in such a way that the equipment's output value can be observed in the workplace.
- 4 The climate control system can only draw in air via the overpressure filter system. When mounted with direct standard air inlet, the system has a recirculation mode.

## 2) OVERPRESSURE FILTERS F33

The type of filters the overpressure filter system should be equipped with depends on the nature and/or concentration of the impurity. The characteristics of the most common filters are shown in the overview below:

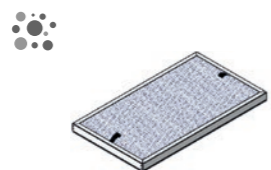


**Type**  
P1 dust filter

**Standard**  
F3 according to ISO16890

**Function**  
Pre-filter, protection of successive filters.

**Replacement Frequency**  
up to 6 months (1080 hours) or upon highly visible contamination.

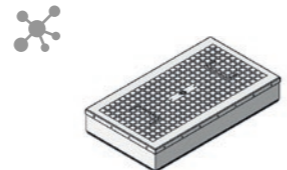


**Type**  
P3 Dust filter

**Standard**  
H13 according to EN1822

**Function**  
Capturing (toxic) particulate matter such as asbestos and quartz dust.

**Replacement Frequency**  
up to 6 months (1080 hours) or upon highly visible contamination.



**Type**  
Activated carbon filter \*

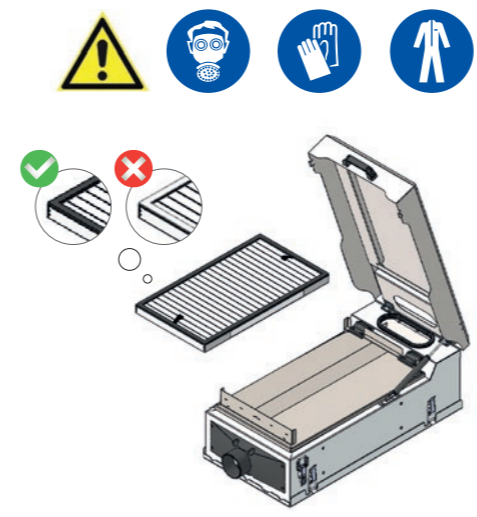
**Standard**  
Format according to EN12941/EN14387

**Function**  
Capturing toxic or unpleasant vapours and/or odours

**Replacement Frequency**  
maximum 13 weeks (540 hours), after saturation or after every remediation.

\* The type is designated by a letter (A, AX, B, E, K and HG); combinations are possible.

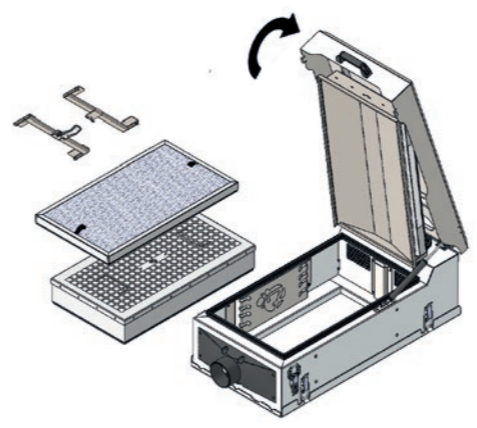
## 2.1) INSTRUCTION FILTER INSTALLATION



Attention! Use the appropriate personal protective equipment (PPE) when opening.

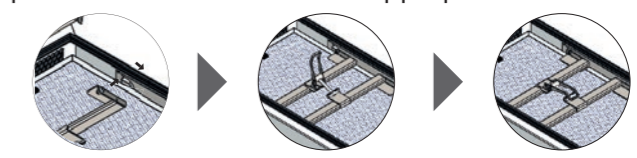
### INSTALLATION OF THE P1 FILTER

- 1 Detach the quick-release fasteners and open the cover using the handle.
- 2 Place the Freshfilter P1 filter in the filter tray, ensure that the gasket of the filter is pointing UPWARDS.
- 3 The filter tray is magnetic, which enables the Freshfilter P1 filter to remain in place. Open the filter tray with the newly inserted P1 filter to install the subsequent filters.



### INSTALLATION OF THE P3 AND CARBON FILTER

- 4 After opening the filter tray, you will see the filter compartment for the P3 and any an activated carbon filter.
- 5 First insert the activated carbon filter. Then the P3 filter can be placed on the activated carbon filter. Make sure that the gasket of both filters is pointing DOWNWARDS. If no activated carbon is required, just insert the P3 filter.
- 6 Clamp the installed filters with the appropriate filter tensioners:



### CLOSING AND ADMINISTRATION

- 7 After installing all filters, close the filter tray and cover. Make sure all clasps are closed.
- 8 Download the Filter Switch App from the App or Playstore to register the digital filters. Filter registration can also be recorded in the log on the last page of this manual.

## 2.3) INSTRUCTION DIGITAL FILTER REGISTRATION



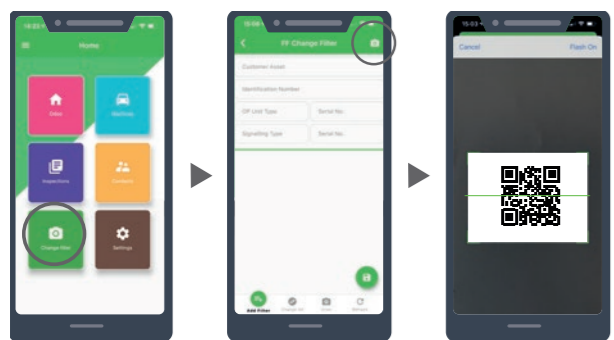
Filters can be digitally registered via the Filter Switch App, which is available for free in the App and Playstore. Once installed, you can log in with the log-in info you received. Don't have log-in info? Request it via the app login screen.



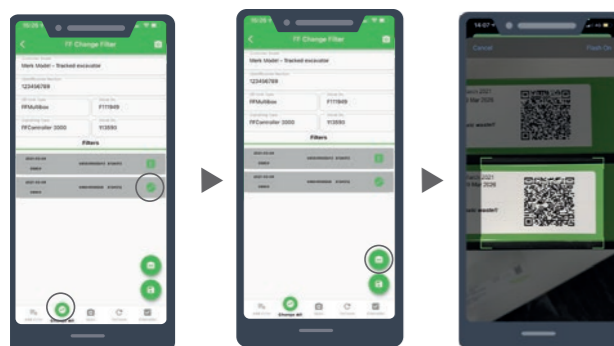




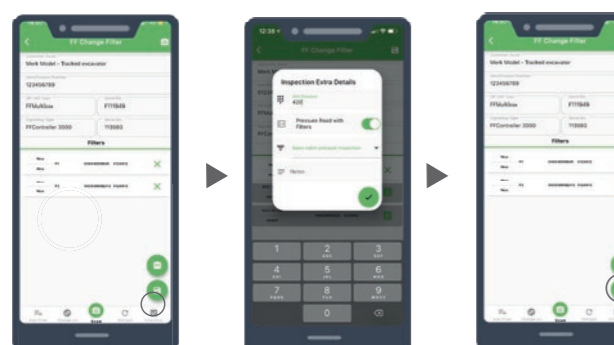
To register a new filter, follow these steps:



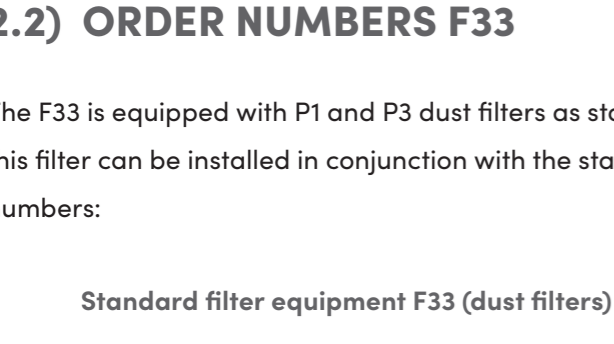
1 After logging in, you can register the new filters by pressing the 'Change filter' icon.



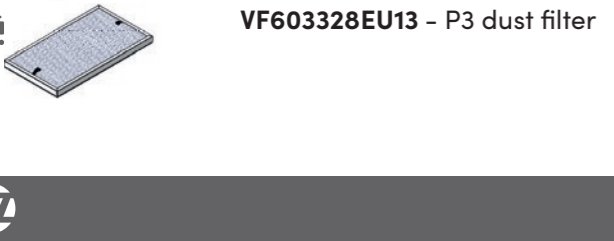
2 A new screen will open; press the camera icon at the top right corner of your screen. Scan the machine QR that can be found on the inspection sticker.



3 The machine data will be immediately visible. The previously registered filters can be replaced by pressing the green switch icon. Replace all filters? Then press 'change all' at the bottom of your screen.



4 After that, press the camera icon to register the new filter. All filters have QR codes; scan the codes of all filters to be installed.



5 To save the registered filters, press the inspection icon in the bottom right corner. This is where you can enter the maximum pressure and add a comment if necessary. Press the green tick mark to save the information.



6 Finally, press the 'save' icon at the bottom right to permanently confirm the filter change. The change will be processed immediately.

### 3) MAINTENANCE & INSPECTION F33

In addition to the timely replacement of filters, the F33 can be cleaned with a damp cloth (filter tray and compartment). Use the correct PPE while cleaning the system. It is also recommended to perform a visual inspection every month or after every 150 hours of operation.



#### INSPECTION F33

Your overpressure filter system needs to be inspected annually according to the current standards in your country. This can be done by an authorized dealer. The dealer will inspect and certify the system with a validity of one year. Upon successful certification, the machine will be provided with an inspection sticker. This sticker shows at a glance how long the certification is valid. The certification can also be viewed online by scanning the QR code. The digital filter log can also be found via the QR code. When checking, the operator or controller has all the necessary information at hand. An additional benefit of the QR code is that service and/or filters can be requested. Your dealer will receive an immediate notification of your request and can quickly provide service.

The F33 is manufactured to the strictest requirements and is suitable for any national or international standards. The standards vary globally, but the system must always be in compliance due to the following tested features of the F33:

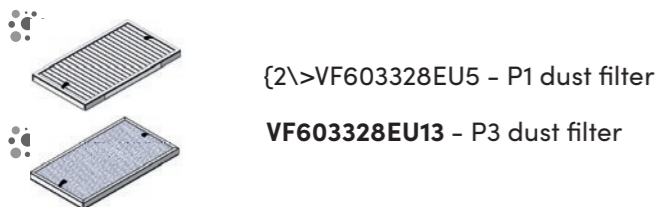
- ✓ The overpressure in the cabin is more than 100 Pa and less than 300 Pa with an air exchange between 40 and 120 m<sup>3</sup>. The pressure is tested according to the standard.
- ✓ The overpressure filter system is designed in such a way that the drawn-in air can only enter the workplace via the filter gasket.
- ✓ There is a green indicator\* that can be seen from the workplace that shows whether the overpressure filter system is in use and filters are mounted. There is also a device allowing the current pressure to be read and it gives an acoustic and optical signal if it exceeds the limit value.
- ✓ If a (HC / CO<sub>2</sub> / H<sub>2</sub>S / NH<sub>4</sub>) sensor is available (max 4 sensors possible), it gives an alert above the set limit value.
- ✓ It is possible to start the overpressure filter system automatically when starting the machine. It is possible to turn off the system after startup.
- ✓ The system has the ability to be expanded with a recirculation unit in the cabin.

\* There is the option to expand the overpressure filter system with an external green indicator for outside the cabin.

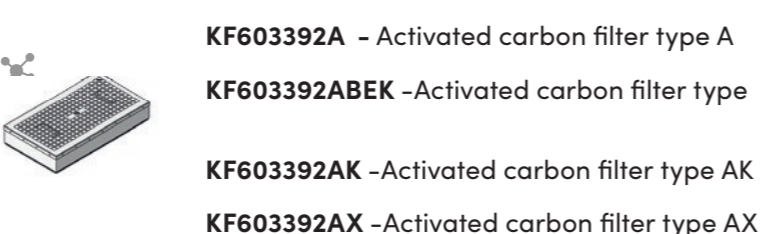
### 2.2) ORDER NUMBERS F33

The F33 is equipped with P1 and P3 dust filters as standard. If an activated carbon filter is required during the operation, this filter can be installed in conjunction with the standard equipment. All filters can be ordered with the following article numbers:

#### Standard filter equipment F33 (dust filters)



#### Extension F33 in case of contamination from (toxic) vapours



Your service dealer can carry out this periodic inspection annually for you. You can find your dealer's contact details at the back of this user manual.



Filter type Filter Type Filter Typ Type de filtre Tipo de filtro	Serial Number Serial Number Serien nr Numéro de série Número de serie	Location Location Ort Lieu Localización	Installation date Installation date Einbaudatum Date de montage Fecha de montaje	Removal date Removal date Entfernungsdatum date de suppression fecha de remocion	Maximum pressure Maximum pressure Maximaler Druck Pression maximum Presión máxima
			- -	- -	Pa
			- -	- -	Pa
			- -	- -	Pa
			- -	- -	Pa
			- -	- -	Pa
			- -	- -	Pa
			- -	- -	Pa
			- -	- -	Pa
			- -	- -	Pa
			- -	- -	Pa
			- -	- -	Pa
			- -	- -	Pa
			- -	- -	Pa
			- -	- -	Pa
			- -	- -	Pa
			- -	- -	Pa
			- -	- -	Pa
			- -	- -	Pa
			- -	- -	Pa
			- -	- -	Pa
			- -	- -	Pa
			- -	- -	Pa
			- -	- -	Pa
			- -	- -	Pa
			- -	- -	Pa
			- -	- -	Pa
			- -	- -	Pa
			- -	- -	Pa
			- -	- -	Pa
			- -	- -	Pa
			- -	- -	Pa

Filter type Filter Type Filter Typ Type de filtre Tipo de filtro	Serial Number Serial Number Serien nr Numéro de série Número de serie	Location Location Ort Lieu Localización	Installation date Installation date Einbaudatum Date de montage Fecha de montaje	Removal date Removal date Entfernungsdatum date de suppression fecha de remocion	Maximum pressure Maximum pressure Maximaler Druck Pression maximum Presión máxima
			- -	- -	Pa
			- -	- -	Pa
			- -	- -	Pa
			- -	- -	Pa
			- -	- -	Pa
			- -	- -	Pa
			- -	- -	Pa
			- -	- -	Pa
			- -	- -	Pa
			- -	- -	Pa
			- -	- -	Pa
			- -	- -	Pa
			- -	- -	Pa
			- -	- -	Pa
			- -	- -	Pa
			- -	- -	Pa
			- -	- -	Pa
			- -	- -	Pa
			- -	- -	Pa
			- -	- -	Pa
			- -	- -	Pa
			- -	- -	Pa



Digital filter registration is possible through an App on your smartphone. Ask your service dealer about the options.

Digital filter registration is possible through an App on your smartphone. Ask your service dealer about the options.



Die digitale Filterregistrierung ist über eine App auf Ihrem Smartphone möglich. Fragen Sie Ihren Servicehändler nach den Möglichkeiten.



L'enregistrement du filtre numérique est possible via une application sur votre smartphone. Renseignez-vous auprès de votre revendeur de services sur les possibilités.

El registro de filtro digital es posible a través de una aplicación en su teléfono inteligente. Pregunte a su distribuidor de servicio sobre las posibilidades.



Your Service Dealer

