

miniDriller[®]

DI30D

DIESEL



Narrow



Modern



Comfort



Safety

FULL DIESEL MICRO DRILL RIG



Aramine

miniDriller[®]

DI30D

DIESEL



HIGH
RELIABILITY



LOW
MAINTENANCE
COST



HIGH
COMFORT



DESIGNED
FOR THE
HIGHEST
CERTIFICATION



A SIMPLE AND RELIABLE MINI DRILL RIG

The Aramine DI30D is a simple and reliable drilling machine for underground confined galleries. Utilizing the carrier of the well proven LI30D miniLoader, the DI30D miniDriller will easily allow you to increase productivity and safety without the need of special skills.

Its Remote Drilling Controller allows the operator to make a clean and efficient face drilling for better blasting and increased productivity.

The integrated hydraulic system in the front base and the use of the LI30D miniLoader carrier allow to keep a good control of parts inventory and fleet rationalization.

Designed to go where the others can't in order to avoid hand drilling, the Aramine DI30D allows a full rotation of the Feed in a 1,6 m gallery width and to cover up to 12 m² of gallery section.

Like a real Drill rig, the DI30D include its own waterpressurizer and air compressor on board to ensure regular and efficient productivity.

Comply
to EC
register



SPECIFICATIONS

CARRIER SPECIFICATIONS

- 4WD heavy duty carrier, articulated, rear axle oscillating
- FOPS certified canopy over operator
- Deutz engine Model FD91424 (50kW)
- Air intake : Dry Type Air cleaner
- Engine Exhaust : Particle filter
- Transmission : Hydrostatic transmission
- Brake System : Hydrostatic Brake system
- Parking Brake : Spring applied hydraulic release in each wheel motor
- Tires : 8,25 x R15 for underground application
- Central Articulation with Locking device
- Two Front Hydraulic stabilizers
- Hydraulic system with Bowman Cooler
- Manual centralized Lubrication
- Engine Hourmeter in Dashboard and Drilling Hourmeter In control panel
- Working lights : 2 x Front LED Light N44, 50W, 24 V
- Tramming lights : 2 Front and 2 Rear Led Lights
- Tramming Speed : Horizontal Ground : 7 Km/h
Incline 14% : 5 Km/h

ROCK DRILL

- Hammer Montabert HC25
- Impact power 6-8 kW
- Stricke flow (maxi) 65L/mm
- Stricke pressure 150 bar
- Rotation speed 0-300 rpm
- Rotation flow 40L/min
- Rotation pressure 150 bar
- Water flushing pressure 10-15 bar
- Water flushing flow 20-50 L/min
- Lubrication air 300L/mm @2 bar
- Shank adopter H25F-R28F-R32F-R32M
- Optionnal EPIROC RD8 (8kW)

ELECTRIC SYSTEM

- Sealed electrical system with replaceable harness
- Battery 12V 105 Ah
- Starter & accessories 12V
- Alternator 60 amps
- 2 Front and 2 Rear lights 12V-H3-55W

WATER FLUSHING

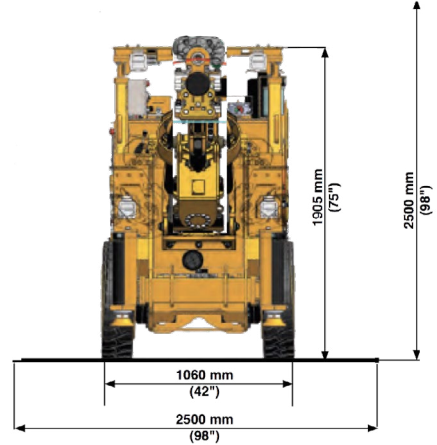
- On board water pump, hydraulically driven
- Flow 50L/mm
- Pressure 13 bar

AIR LUBRICATION

- On board air compressor, hydraulically driven
- Specifications 300L/mm @ 4 bar

RECOMMENDED DRIFT SIZE

- (Canopy mounted)



BOOM

- 1x BUA9F Boom for 4 to 9 m² Section
- (1,7 width x 2.2m High up to 3x3m)
- No Boom Extension
- Angle lift +45°/-20°
- Swing angle +30°
- (2) Rotary cylinders for vertical and horizontal rotation, 360° and 220°
- Hydraulic cylinders with Pilot check valves

FEED

- Standard Model HUA 220 aluminium Feed with cable, pulley & cylinders style
- Advance Drilling 700mm

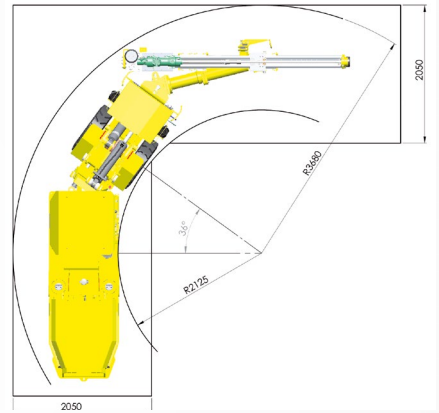
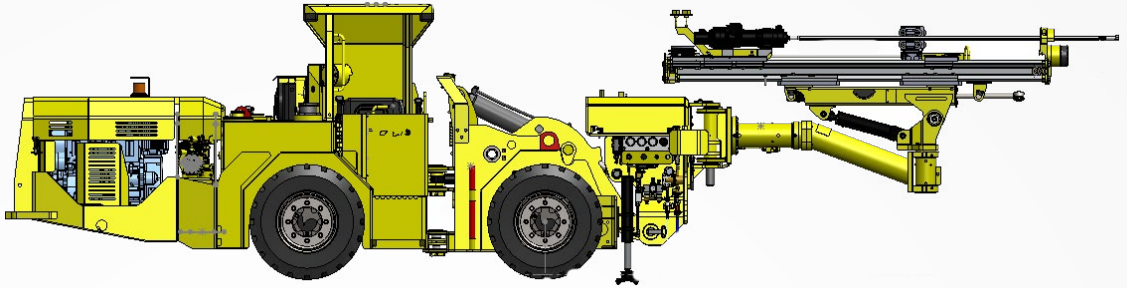
	Unit	HUA180	HUA200	HUA220*	VUA110
Total Length	mm	3000	3200	3400	2200
Hole Length	mm	1800	2000	2200	1000
Rod Steel Length	mm	2000	2200	2400	1200

* STANDARD (Optional Telescopic Feeds - See back for details)

DRILLING SYSTEM

- Cable remote control
- Easy Manual Drilling Regulation with gage indicators
- Possibility to use percussion without rotation for Bolting

ARAMINE DI 30D miniDriller® TRAMMING POSITION



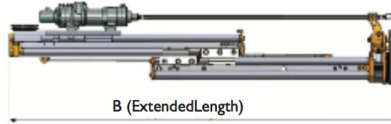
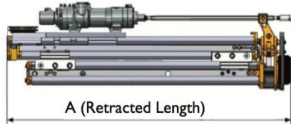
Width : 1.15 m

Height : 1.90 m

Weight (Operational) : 6,4 t (a vérifier

Parts, Operation and maintenance in PDF and USB key

SELECTION OF OPTIONAL TELESCOPIC FEED



Aramine Feed Model	Lenght A Retracted (mm)	Length B Extended (mm)	Drill rod Retracted	Drill rod Extended	Max Drill Hole* Bolt Length
THUA 8-10	3330	3930	8'R32	10'R32	8'(2,4m)
THUA 7-9	3010	3620	7'R32	9'R32	7'(2,1m)
THUA 6-10	2710	3930	6'R32	10'R32	6'(1,8m)
THUA 5-8	2410	3320	5'R32	8'R32	5'(1,5m)
THUA 4-7	2020	3010	4'R32	7'R32	4'(1,2m)

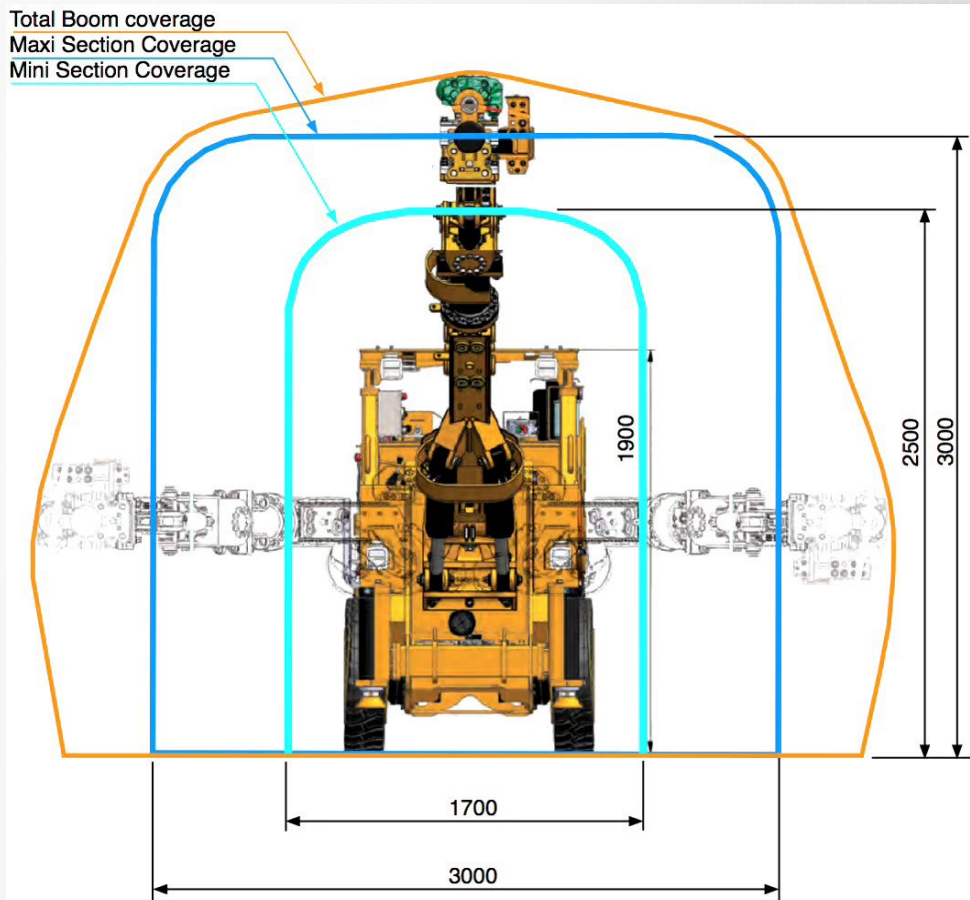
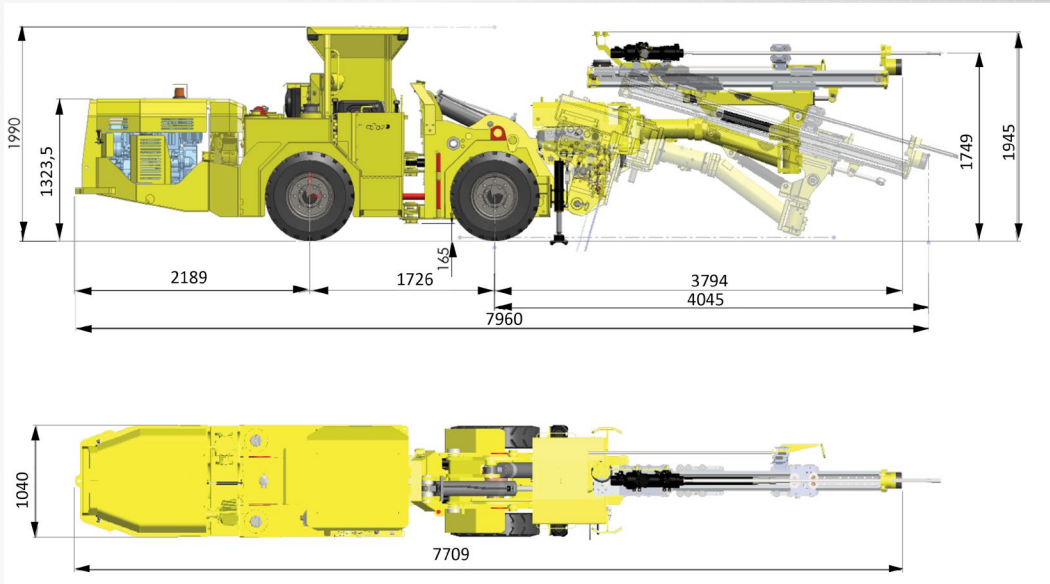
* with Montabert HC Drifter

OPTIONS

- Ansul Fire suppression System
- Operator's Door with park brake interlock
- Radio Remote Control
- Telescopic Feed for Bolting or confined area
- Epiroc Drifter RD8 (8kw)

*The drawings and images of this brochure may show equipment with specific options.
The specifications and equipment are subject to change without notice.*

ARAMINE DI30D miniDriller® DIMENSIONS



YOUR OFFICIAL AUSTRALIAN DISTRIBUTORS



www.SITECHWA.com.au
Sales@SITECHWA.com.au
08 9392 7700

PERTH

1/8 Hasler Road
Osborne Park WA 6017



www.SmartTechAustralia.com.au
Reception@SmartTechAustralia.com.au
1800 655 860

BRISBANE

4/29 Links Avenue North
Eagle Farm QLD 4009

TOWNSVILLE

11-13 Casey Street
Aitkenvale QLD 4814

SYDNEY

13/7-9 Progress Circuit
Prestons NSW 2170

MELBOURNE

11B The Crossway
Campbellfield VIC 3061

TASMANIA

PO BOX 315
Newstead TAS 7250



Aramine joins the Global Compact of the United Nations and is committed to develop its Social Responsibility

